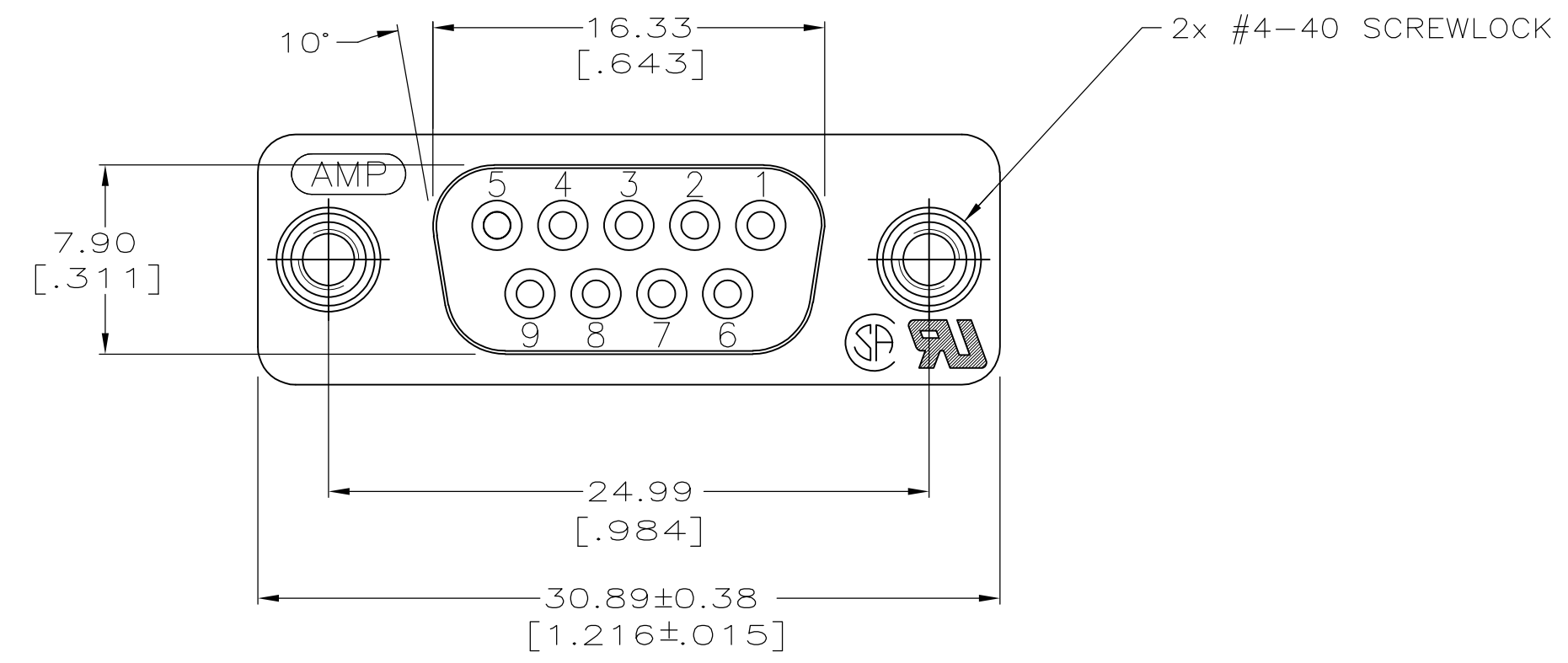
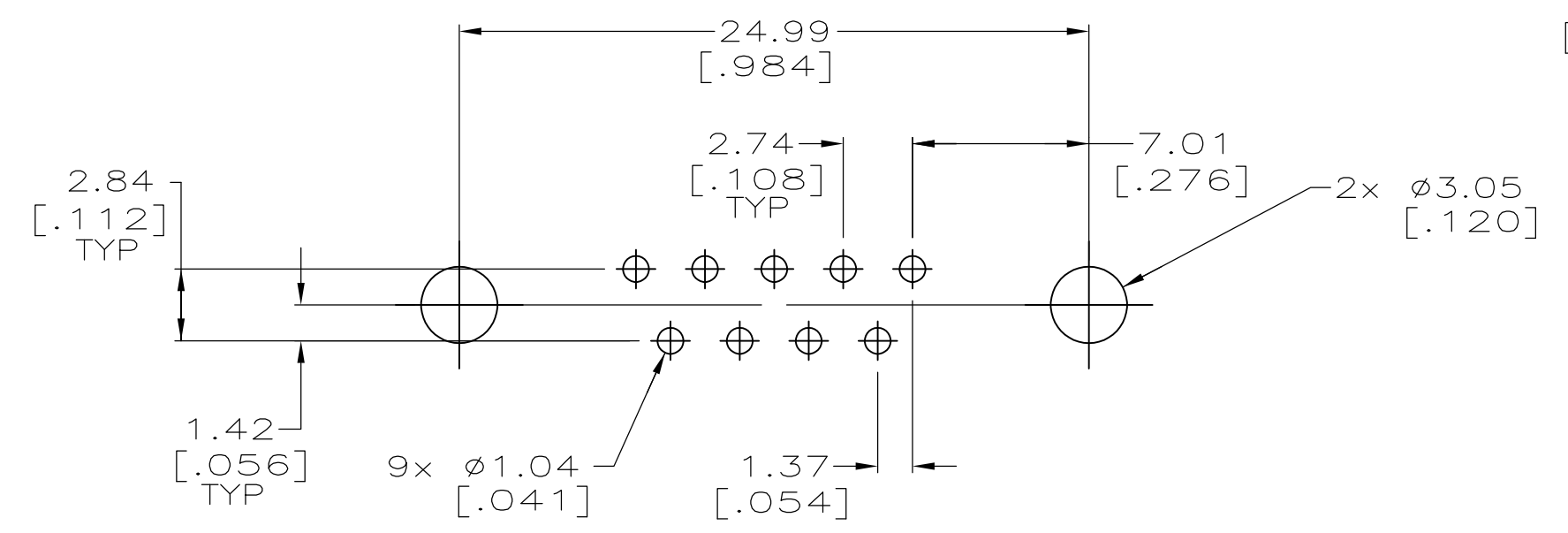
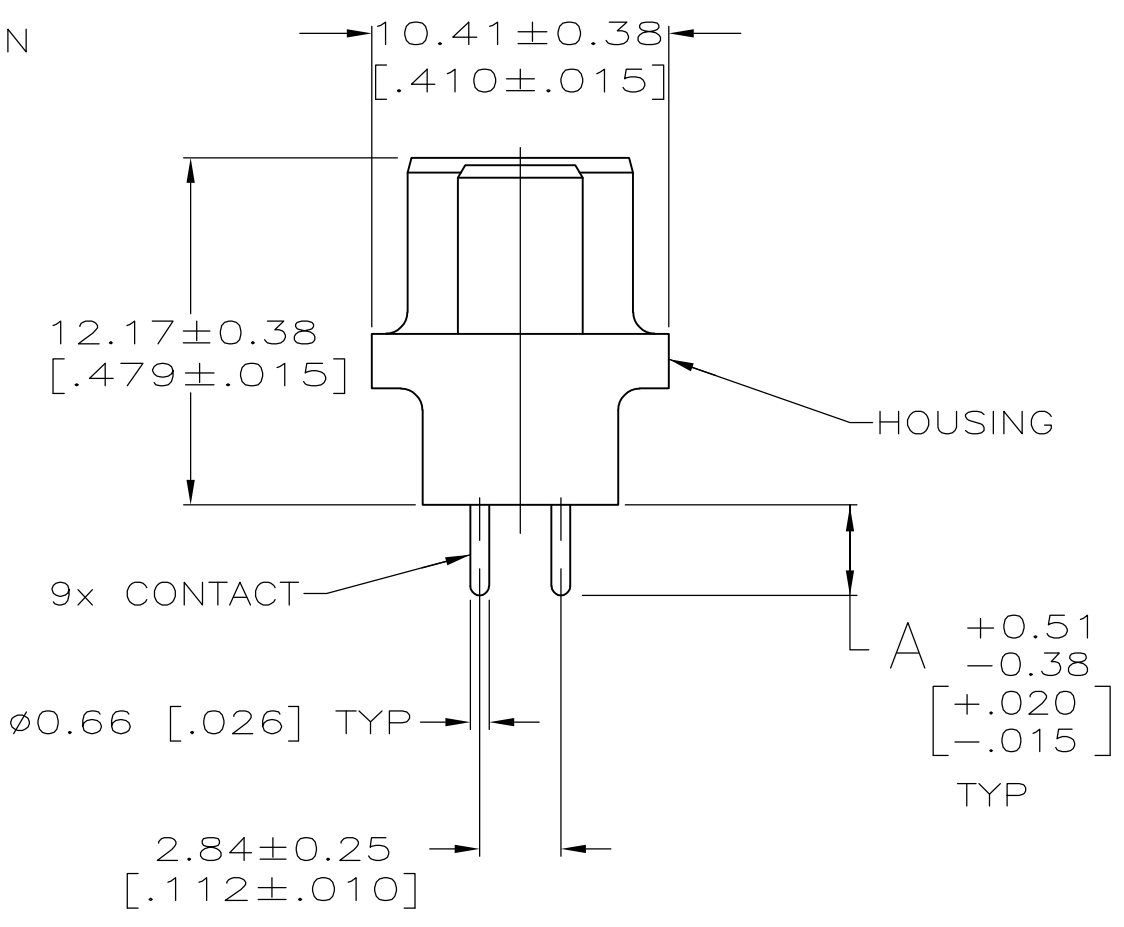
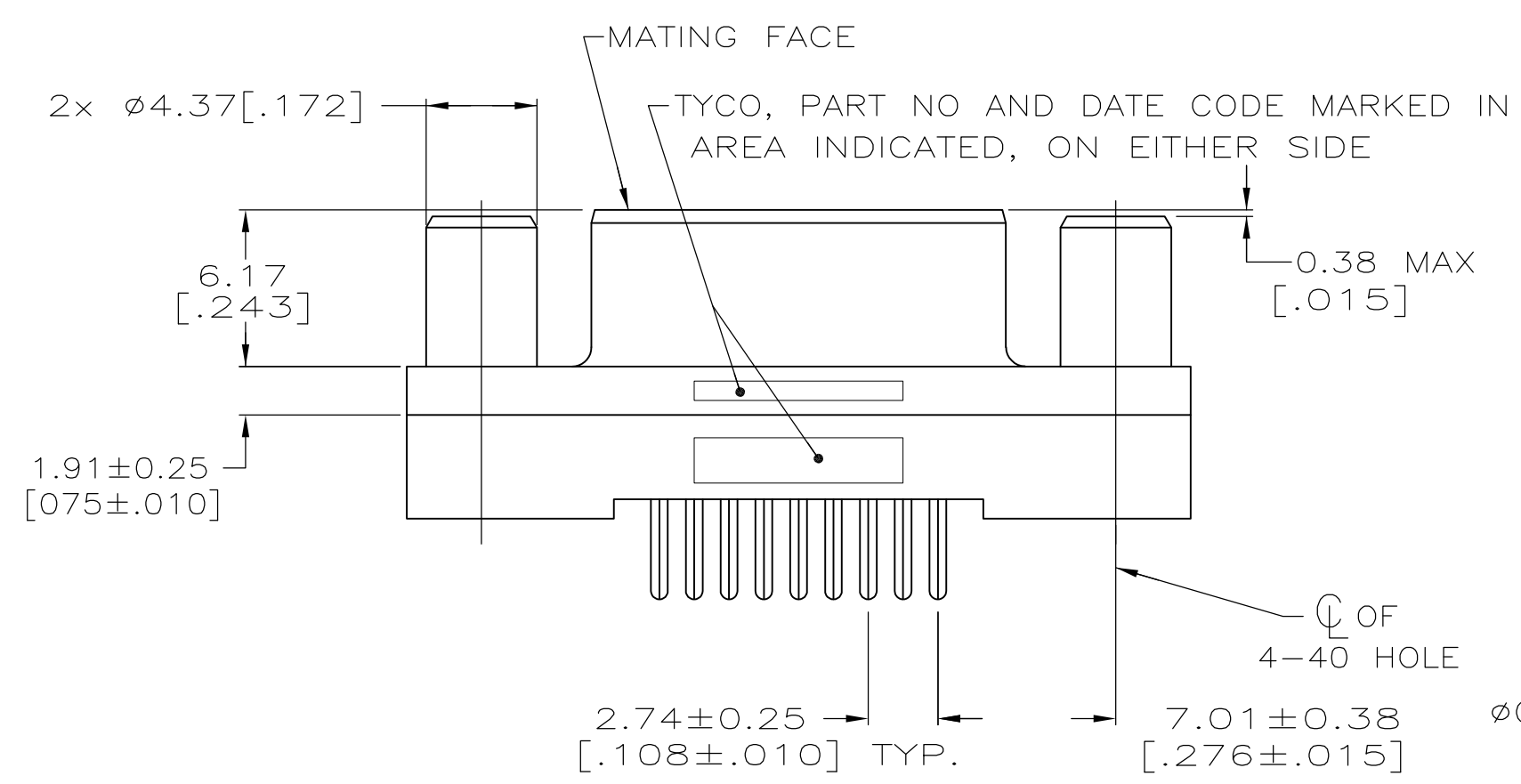


LOC	DIST	REVISIONS			
P	LTR	DESCRIPTION	DATE	OWN	APVD
GP	00	P	REVISED PER ECO-11-004835	11MAR11	RK HMR



- 1 HOUSING: BLACK POLYESTER, UL 94V-0 RATED. CONTACTS: PHOSPHOR BRONZE. SCREWLOCKS: BRASS.
- 2 CONTACTS: SEE TABLE. SCREWLOCKS: 1.27 μm [.000050] MIN NICKEL OVER COPPER FLASH.
- 3 GOLD FLASH FOR A LENGTH OF 2.54 [.100] MIN FROM MATING END, 2.54 μm [.000100] MIN TIN ON OPPOSITE END, ALL OVER 1.27 μm [.000050] MIN NICKEL.
- 4 0.76 μm [.000030] MIN GOLD FOR A LENGTH OF 2.54 [.100] MIN FROM MATING END, 2.54 μm [.000100] MIN TIN ON OPPOSITE END, ALL OVER 1.27 μm [.000050] MIN NICKEL.



RECOMMENDED PC BOARD MOUNTING DIMENSIONS

**COPYRIGHT 2005
TE CONNECTIVITY CORP
ALL RIGHTS RESERVED**

4.32 [.170]	4	5745076-6
3.18 [.125]	4	5745076-4
3.18 [.125]	3	5745076-3
A	CONTACT FINISH	PART NO

THIS DRAWING IS A CONTROLLED DOCUMENT.		DWN	13SEP05	TE Connectivity	
DIMENSIONS: mm[INCHES]		CHK	13SEP05	NAME	
TOLERANCES UNLESS OTHERWISE SPECIFIED:		APVD	13SEP05	PRODUCT SPEC	
0 PLC	± -	M. WALMSLEY		108-40025	
1 PLC	± -	APPLICATION SPEC		-	
2 PLC	± 0.13 [.005]	SIZE		CAGE CODE	DRAWING NO
3 PLC	± -	A2		00779	5745076
4 PLC	± -	WEIGHT		-	
ANGLES	± ± 2'	CUSTOMER DRAWING		SCALE	4:1
FINISH	2	SHEET		1 of 1	
MATERIAL		REV		P	